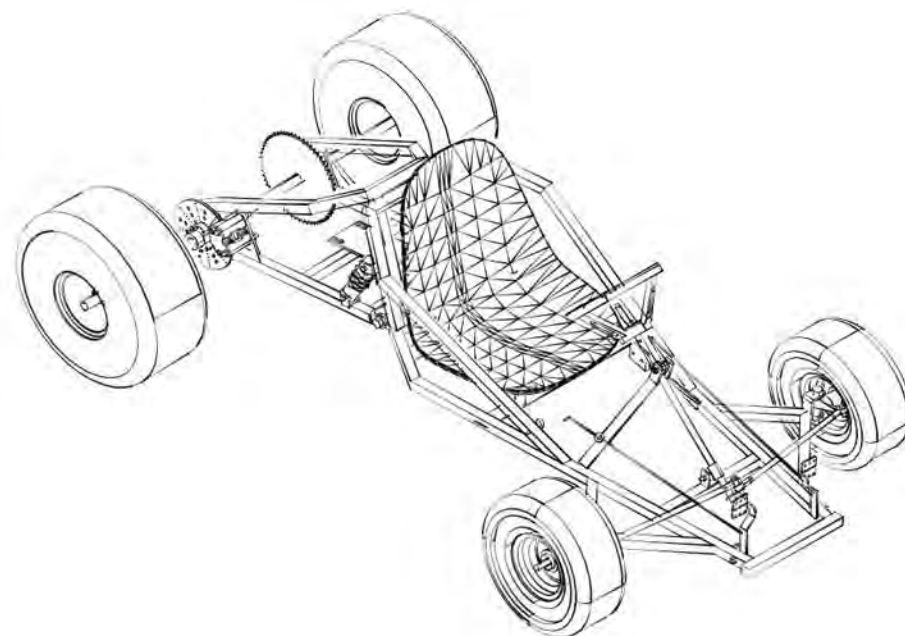
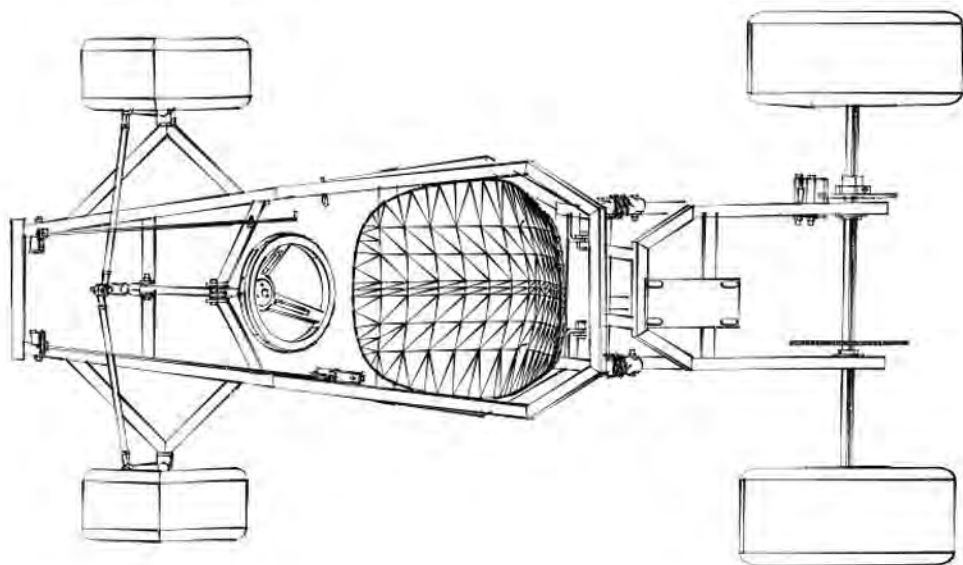
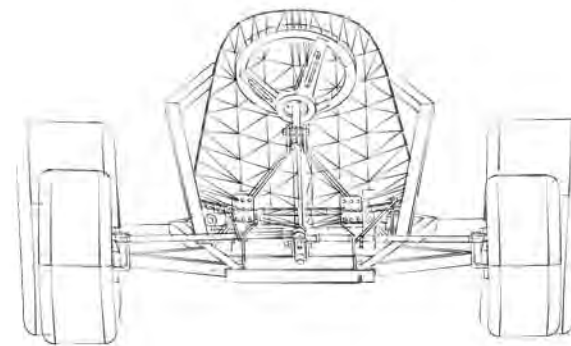
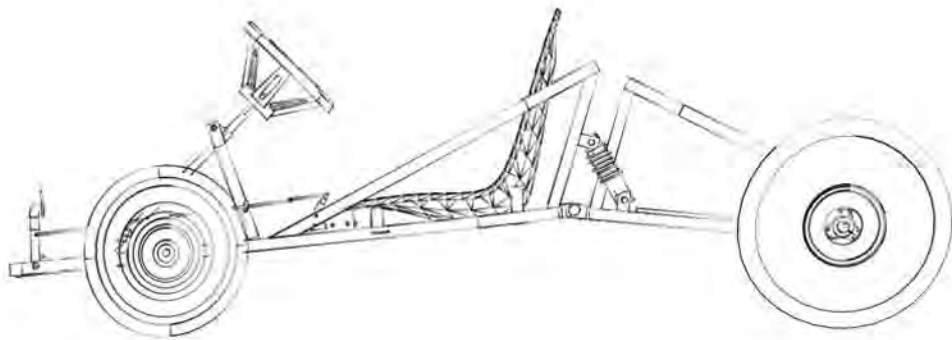


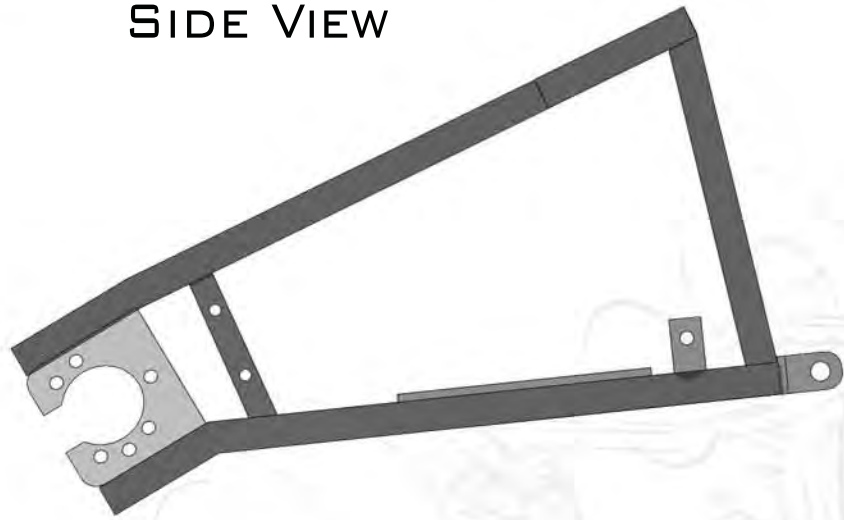


SPIDERCARTS	00		Ver.	0.1.2.6	Copyright is the property of Spidercarts and shall not be reproduced.
			Authorized	Robert Dicken	
	TARANTULA PLANS				

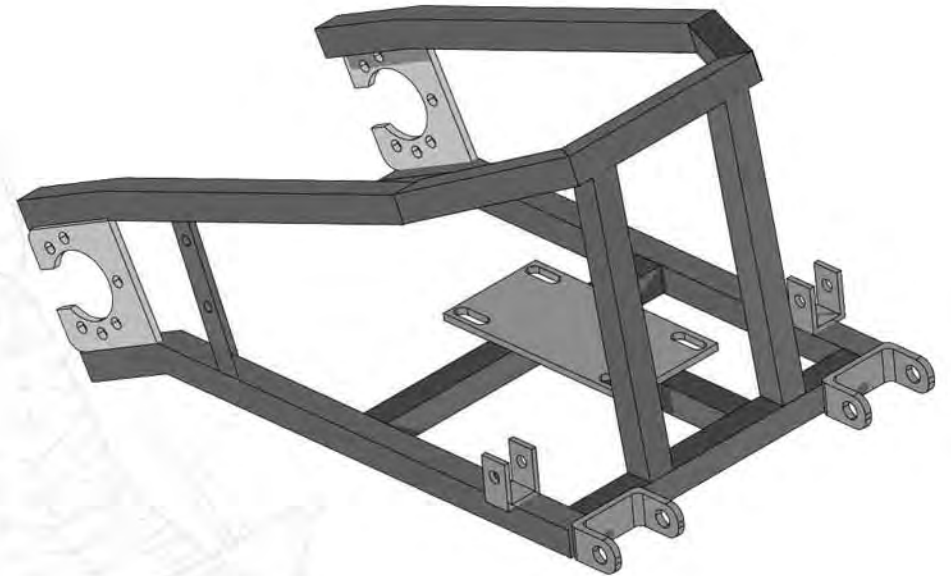


SPIDERCARTS	02	Ver.	0,1,2,6	Copyright is the property of Spidercarts and shall not be reproduced.
		Authorized	Robert Dicken	
	TARANTULA			

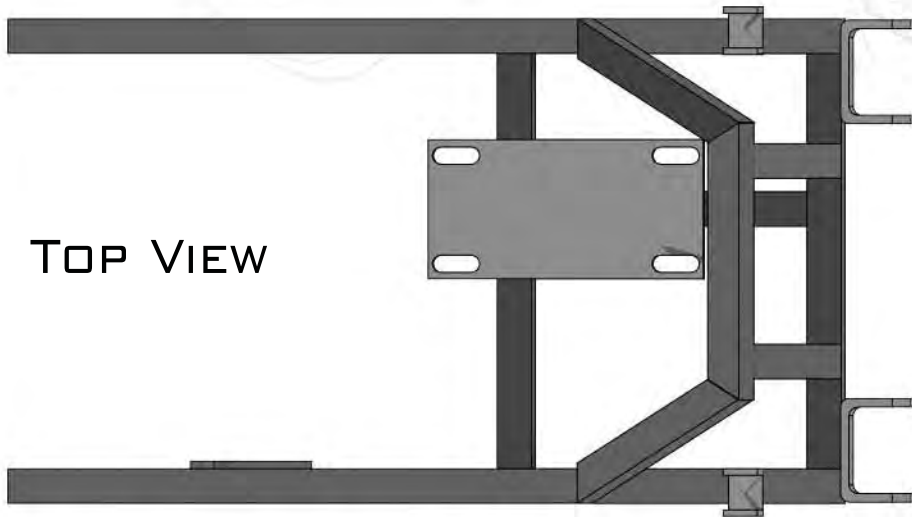
SIDE VIEW



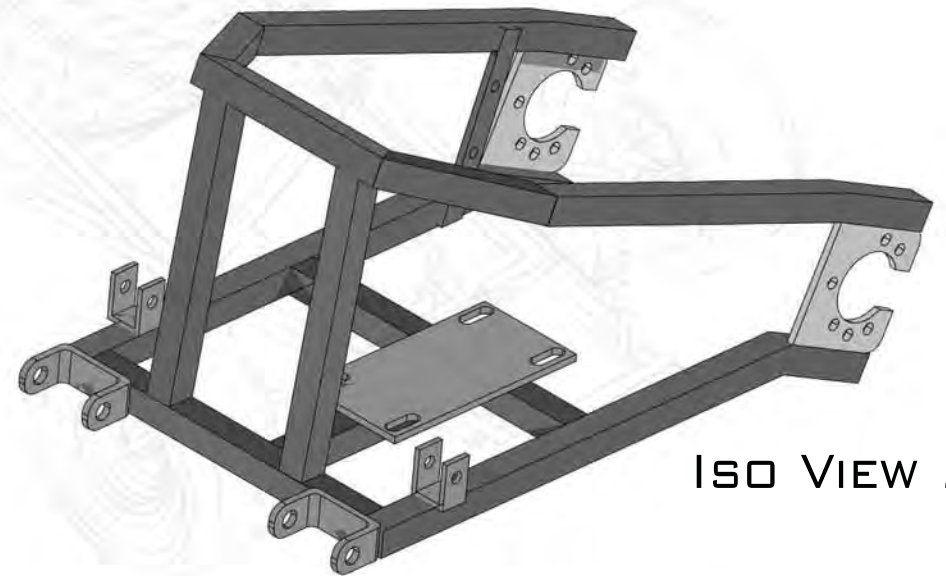
ISO VIEW



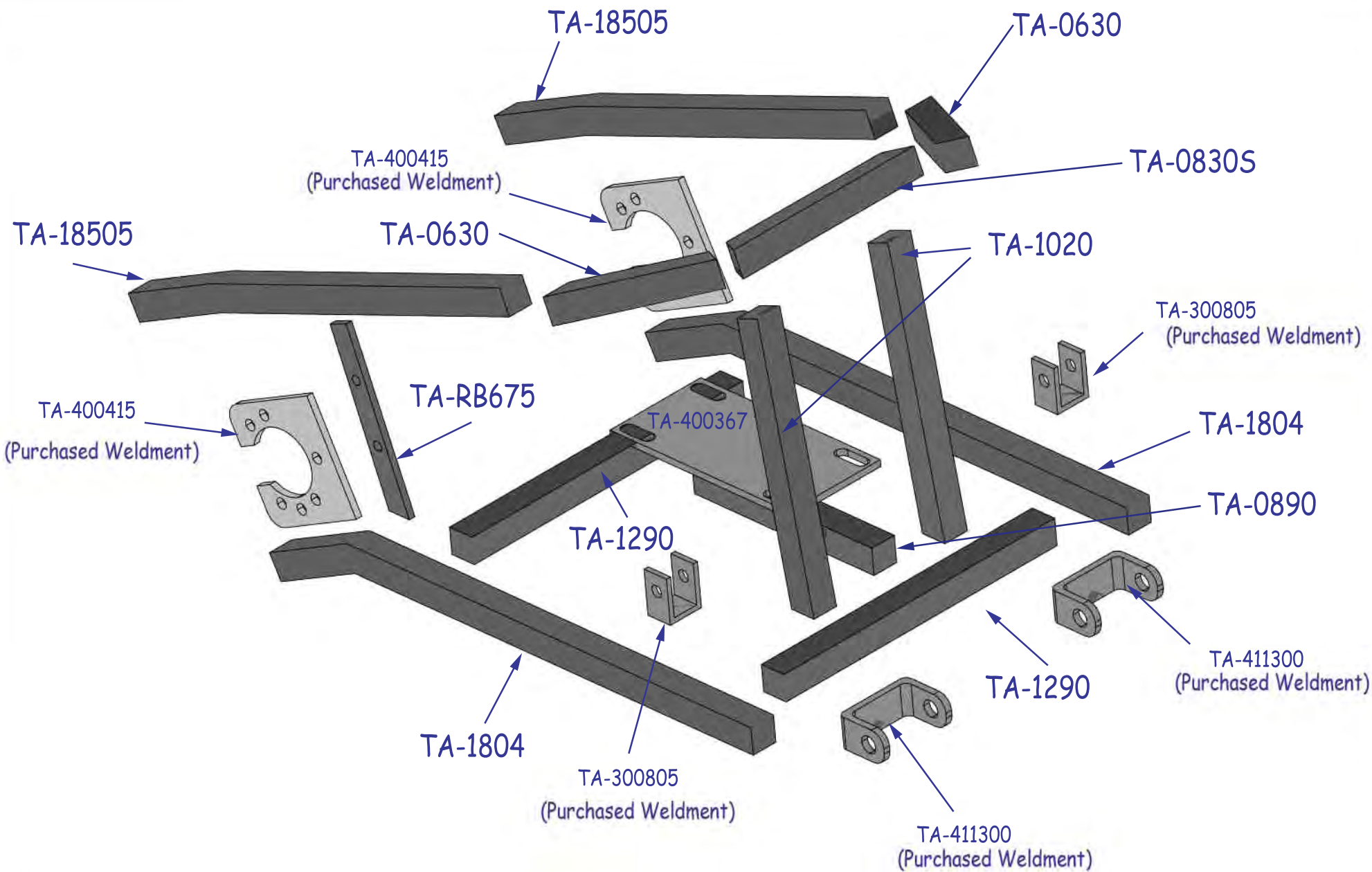
TOP VIEW



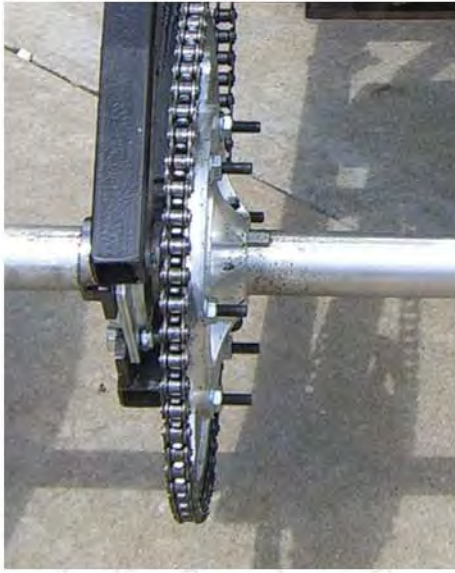
ISO VIEW 2



SPIDERCARTS	10		Ver.	0.1.2.6	Copyright is the property of Spidercarts and shall not be reproduced.
			Authorized	Robert Dicken	
		TA-SUB-FRAME		QTY-1	



SPIDERCARTS	16		Ver.	0.1.2.6	Copyright is the property of Spidercarts and shall not be reproduced.
			Authorized	Robert Dicken	
	TA-SUB-EXPLODED			QTY- 1	



The order of assembly from left to right is as follows.
All this hardware is being installed on a 1 1/4 live axle

- 2 Piece 1 1/4" Locking Collar
- 18" Baloon Tires, Wheel and Wheel Hub
- 1 1/4" Bearing Hanger (Welded onto the Frame)
- 1 1/4" Bearing Flangette
- 1 1/4" Bearing
- 1 1/4" Bearing Flangette
- 60 Tooth Sprocker Hub/Sprocket
- 1 1/4" Bearing Flangette
- 1 1/4" Bearing
- 1 1/4" Bearing Flangette
- 1 1/4" Bearing Hanger (Welded onto the Frame)
- 1 1/4" Brake Caliper Hub /Brake Caliper
- 18" Baloon Tires, Wheel and Wheel Hub
- 2 Piece 1 1/4" Locking Collar

SPIDERCARTS	44	Ver.	0.1.2.6	Copyright is the property of Spidercarts and shall not be reproduced.
		Authorized	Robert Dicken	
	ASSEMBLY / REAR AXLE			



The Hydraulic Brakes and Master are mounted as shown.

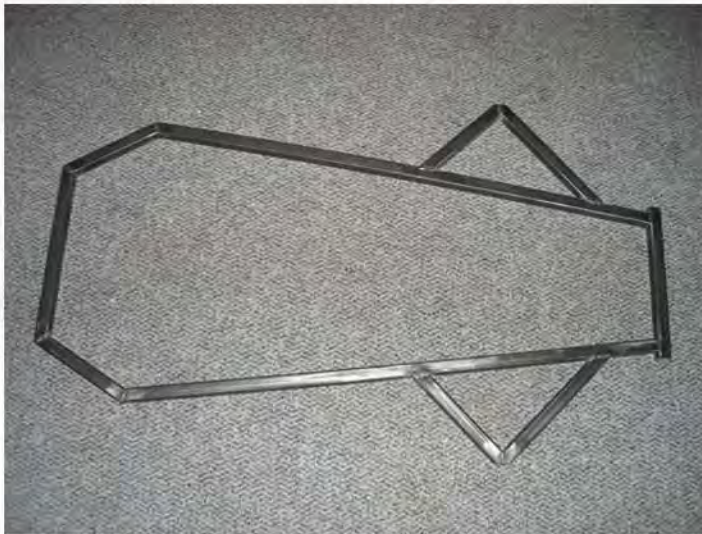
I mounted the Master Cylinder just to the left of the seat. Just weld a bracket for it in the little wedge area where the two frame pieces meet. 5/16" bolts hold it into place.

I made my own brake rod. Just use a small gauge steel rod, heat up the ends and bend a 90° in each end and drill a tiny hole for a pin and thats it. When you mount the Master the top hole should be 25 1/2" from the top hole in the brake pedal...

So make your rod 25 1/2" long.



SPIDERCARTS	45	Ver.	0.1.2.6	Copyright is the property of Spidercarts and shall not be reproduced.
		Authorized	Robert Dicken	
	ASSEMBLY / REAR BRAKE			



SPIDERCARTS	40		Ver.	0.1.2.6	Copyright is the property of Spidercarts and shall not be reproduced.
			Authorized	Robert Dicken	
	PARTS / PICTURES 1				

Thank you for your business.

I hope you have found these plans to be helpful and complete.

Building go karts can be a very rewarding hobby.

As always please use caution when riding your new go kart and be safe.

Please check back with our website as we are always adding new products.



SPIDERCARTS			Ver.	0.1.2.6	Copyright is the property of Spidercarts and shall not be reproduced.
			Authorized	Robert Dicken	
	THANK YOU				